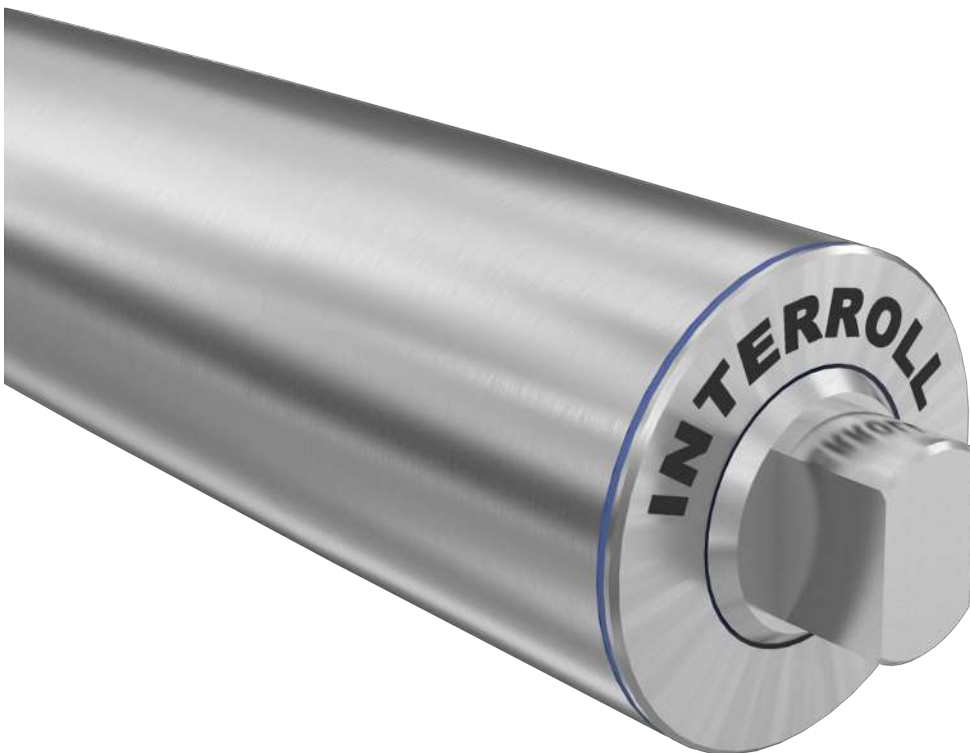


DM SERIES OPTIONS AND ACCESSORIES DEFLECTION DRUM WITH INTEGRATED BEARINGS



Interroll deflection rollers can be used on the driven side of conveyor belts. The deflection roller with integrated bearings has a fixed shaft and the same dimensions as a drum motor.



DM SERIES

OPTIONS AND ACCESSORIES

DEFLECTION DRUM WITH INTEGRATED BEARINGS

Technical data

Protection rate	IP69k
Max. belt tension	See equivalent drum motor
Max. belt speed	See equivalent drum motor
Shell length	See equivalent drum motor
Internal shaft sealing system	NBR
External shaft sealing system	PTFE

Design versions

For deflection drums you can choose the following design versions:

Component	Option	Material			
		Aluminum	Mild steel	Stainless steel	PTFE
Tube	Crowned		●	●	
	Cylindrical		●	●	
	Cylindrical + key for sprockets		●	●	
End housing		●		●	
Shaft				●	
External seal					●

Versions

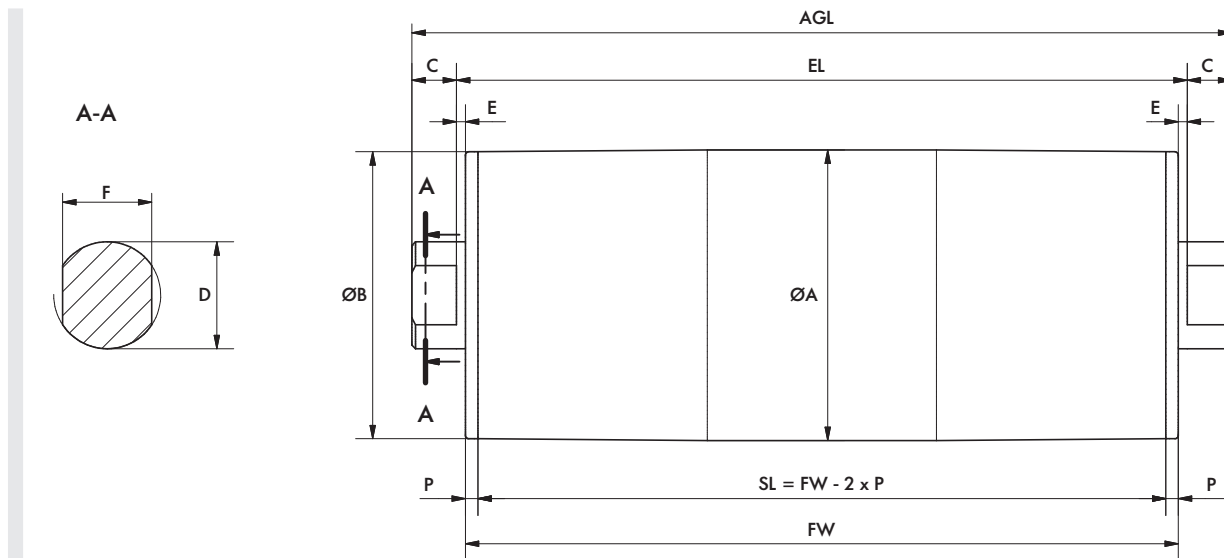
- Laggings for friction drive belts
- Laggings for modular plastic belts
- Laggings for positive drive solid homogenous belts

DM SERIES

OPTIONS AND ACCESSORIES

DEFLECTION DRUM WITH INTEGRATED BEARINGS

Dimensions



Type		A [mm]	B [mm]	C [mm]	D [mm]	S [mm]	F [mm]	P [mm]	SL [mm]	EL [mm]	AGL [mm]
IM 0080 crowned	Standard	81.5	80.5	12.5	30	2.5	25	3.5	FW - 7	FW + 5	FW + 30
	Optional	81.5	80.5	12.5	25	2.5	20	3.5	FW - 7	FW + 5	FW + 30
	Optional	81.5	80.5	12.5	17	2.5	13.5	3.5	FW - 7	FW + 5	FW + 30
IM 0080 cylindrical	Standard	81	81	12.5	30	2.5	25	3.5	FW - 7	FW + 5	FW + 30
	Optional	81	81	12.5	25	2.5	20	3.5	FW - 7	FW + 5	FW + 30
	Optional	81	81	12.5	17	2.5	13.5	3.5	FW - 7	FW + 5	FW + 30
IM 0113 crowned	Standard	113.5	112	25	30	6.5	25	3.5	FW - 7	FW + 13	FW + 63
	Optional	113.5	112	25	25	6.5	20	3.5	FW - 7	FW + 13	FW + 63
IM 0113 cylindrical	Standard	112	112	25	30	6.5	25	3.5	FW - 7	FW + 13	FW + 63
	Optional	112	112	25	25	6.5	20	3.5	FW - 7	FW + 13	FW + 63
IM 0113 cylindrical + key	Standard	113	113	25	30	6.5	25	3.5	FW - 7	FW + 13	FW + 63
	Optional	113	113	25	25	6.5	20	3.5	FW - 7	FW + 13	FW + 63

DM SERIES

OPTIONS AND ACCESSORIES

DEFLECTION DRUM WITH INTEGRATED BEARINGS

Type		A [mm]	B [mm]	C [mm]	D [mm]	S [mm]	F [mm]	P [mm]	SL [mm]	EL [mm]	AGL [mm]
IM 0138 crowned	Standard	138	136	25	30	11.5	25	3.5	FW - 7	FW + 23	FW + 73
	Optional	138	136	25	30	11.5	20	3.5	FW - 7	FW + 23	FW + 73
IM 0138 cylindrical	Standard	136	136	25	30	11.5	25	3.5	FW - 7	FW + 23	FW + 73
	Optional	136	136	25	30	11.5	20	3.5	FW - 7	FW + 23	FW + 73
IM 0138 cylindrical + key	Standard	137	137	25	30	11.5	25	3.5	FW - 7	FW + 23	FW + 73
	Optional	137	137	25	30	11.5	20	3.5	FW - 7	FW + 23	FW + 73
IM 0165 crowned	Standard	164	162	25	30	16.5	25	3.5	FW - 7	FW + 33	FW + 83
	Optional	164	162	45	40	16.5	30	3.5	FW - 7	FW + 33	FW + 123
IM 0165 cylindrical	Standard	162	162	25	30	16.5	25	3.5	FW - 7	FW + 33	FW + 83
	Optional	162	162	45	40	16.5	30	3.5	FW - 7	FW + 33	FW + 123
IM 0165 cylindrical + key	Standard	162	162	25	30	16.5	25	3.5	FW - 7	FW + 33	FW + 83
	Optional	162	162	45	40	16.5	30	3.5	FW - 7	FW + 33	FW + 123
IM 0217 crowned	Standard	217.5	215.5	45	30	16.5	25	5	FW - 10	FW + 33	FW + 123
	Optional	217.5	215.5	45	40	16.5	30	5	FW - 10	FW + 33	FW + 123
IM 0217 cylindrical	Standard	215.5	215.5	45	30	16.5	25	5	FW - 10	FW + 33	FW + 123
	Optional	215.5	215.5	45	40	16.5	30	5	FW - 10	FW + 33	FW + 123
IM 0217 cylindrical + key	Standard	215.5	215.5	45	30	16.5	25	5	FW - 10	FW + 33	FW + 123
	Optional	215.5	215.5	45	40	16.5	30	5	FW - 10	FW + 33	FW + 123

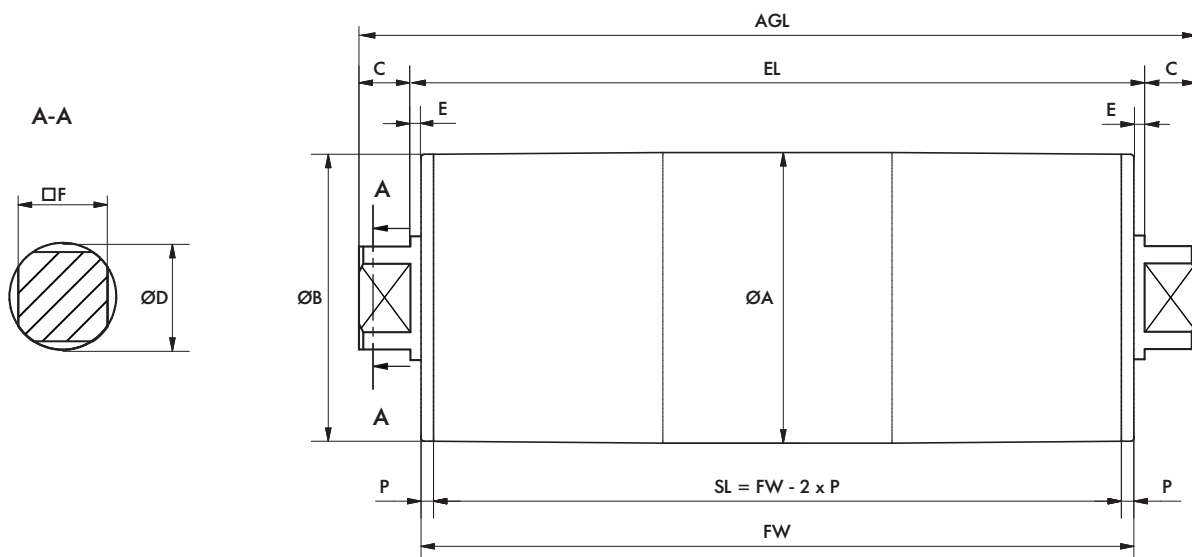


Fig.: Square shaft

DM SERIES

OPTIONS AND ACCESSORIES

DEFLECTION DRUM WITH INTEGRATED BEARINGS

Type		A [mm]	B [mm]	C [mm]	D [mm]	S [mm]	F [mm]	P [mm]	SL [mm]	EL [mm]	AGL [mm]
IM 0113 crowned	Standard	113.5	112	25	30	6.5	25	3.5	FW - 7	FW + 13	FW + 63
IM 0113 cylindrical	Standard	112	112	25	30	6.5	25	3.5	FW - 7	FW + 13	FW + 63
IM 0113 cylindrical + key	Standard	113	113	25	30	6.5	25	3.5	FW - 7	FW + 13	FW + 63
IM 0138 crowned	Standard	138	136	25	30	11.5	25	3.5	FW - 7	FW + 23	FW + 73
IM 0138 cylindrical	Standard	136	136	25	30	11.5	25	3.5	FW - 7	FW + 23	FW + 73
IM 0138 cylindrical + key	Standard	137	137	25	30	11.5	25	3.5	FW - 7	FW + 23	FW + 73
IM 0165 crowned	Standard	164	162	25	30	16.5	25	3.5	FW - 7	FW + 33	FW + 83
IM 0165 cylindrical	Standard	162	162	25	30	16.5	25	3.5	FW - 7	FW + 33	FW + 83
IM 0165 cylindrical + key	Standard	162	162	25	30	16.5	25	3.5	FW - 7	FW + 33	FW + 83
IM 0217 crowned	Standard	217.5	215.5	45	30	16.5	25	5	FW - 10	FW + 33	FW + 123
IM 0217 cylindrical	Standard	215.5	215.5	45	30	16.5	25	5	FW - 10	FW + 33	FW + 123
IM 0217 cylindrical + key	Standard	215.5	215.5	45	30	16.5	25	5	FW - 10	FW + 33	FW + 123