

ROLLERS SERIES 3800 LIGHT

Friction conveyor roller
Double friction conveyor roller



Application area

Transporting and accumulating unit handling conveyor systems, such as lightweight cardboards and containers. Also suitable for implementing buffer sections and for use in the packaging industry.

Numerous drive types

Various drive variants are available. The rollers can optionally be driven with flat or round belts as well as chains with a pitch of 3/8". Wrapping or tangential chain drive is possible.

Low-noise

The flat belt drive head made of polyamide ensures very quiet running.

Low roller pitches

Small roller pitches for transporting small materials can also be implemented.

Weight-dependent

Conveyance as well as accumulation pressure depend on the weight of the materials.

Two-sided friction coupling

For the double friction roller variant, the two-sided friction couplings are connected with each other by an internal tube. Positioning materials of different widths to the friction side are not required in this case.

Note: Please read the additional important information about the use of the friction roller in the planning section, page 257.



ROLLERS SERIES 3800 LIGHT

Friction conveyor roller
Double friction conveyor roller

Technical data

General technical data	
Platform	1700
Max. load capacity	150 N
Max. conveyor speed	0.5 m/s
Temperature range	-5 to +40 °C
Material	
Tube	Zinc-plated steel, stainless steel
Shaft	Uncoated steel, zinc-plated steel, stainless steel
Bearing housing	Polyamide on drive side, polypropylene on non-drive side, each in RAL9005 (jet black)
Drive head	Flat belt drive head – polyamide, RAL9005 (jet black) Sprocket head – zinc-plated steel
Seal	Polypropylene on drive side, polyamide on non-drive side, each in RAL1021 (rape yellow)
Bearing version	Precision steel ball bearing 689 2Z, greased

Design versions

Anti-static version	< 10 ⁶ Ω
Special tube surface treatment	Carbonitriding
Operating principle	Sprocket head – single friction, flat belt drive head – double friction

Load capacities of series 3800 light

The load capacity table refers to a temperature range of +5 to +40 °C.
Valid for the following shaft designs: female thread or male thread.

Bearing: 689 2Z.

Tube material	Ø Tube / thickness [mm]	Function	Drive element	Ø Shaft [mm]	Maximum static load [N] for installation length [mm]		
					200	400	600
Steel	30 x 1.2	Single friction design	Steel sprocket head 3/8", T12	8	150	150	150
			Steel double sprocket head 3/8", T12	8	150	150	150
		Double friction design	Flat belt drive head with Ø 30 mm	8	150	150	140

T = Number of teeth

ROLLERS SERIES 3800 LIGHT

Friction conveyor roller
Double friction conveyor roller

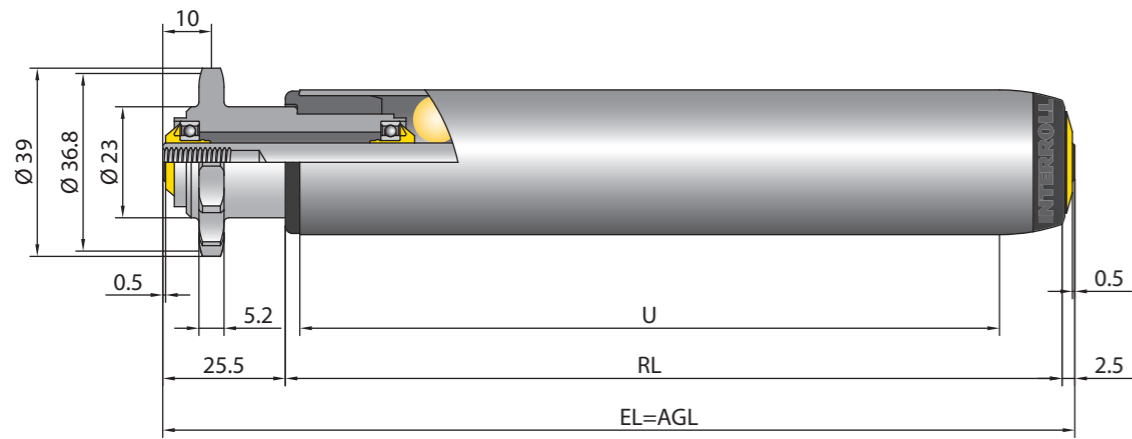


Dimensions

A sufficient axial play is already taken into account, so that the actual lane width between side profiles is required. The dimensions of the conveyor roller depend on the shaft version and the drive element.

- RL = Reference length / ordering length
- EL = Installation length, inside diameter between side profiles
- AGL = Total length of shaft
- U = Usable tube length: Length without bearing housing and for flanged metal tube without length of flanging

Single friction roller with 3/8" zinc-plated steel sprocket head and 12 teeth



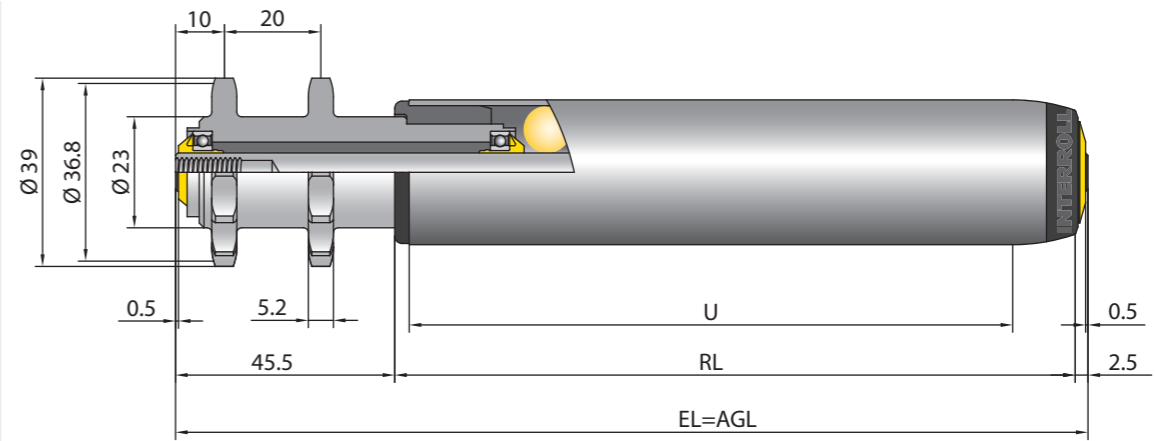
Ø Tube [mm]	Tube material	Ø Shaft [mm]	Drive element	EL [mm]	AGL [mm]	U [mm]
30 x 1.2	Steel	8	Steel sprocket head 3/8", T12	RL + 28	RL + 28	RL - 16



ROLLERS SERIES 3800 LIGHT

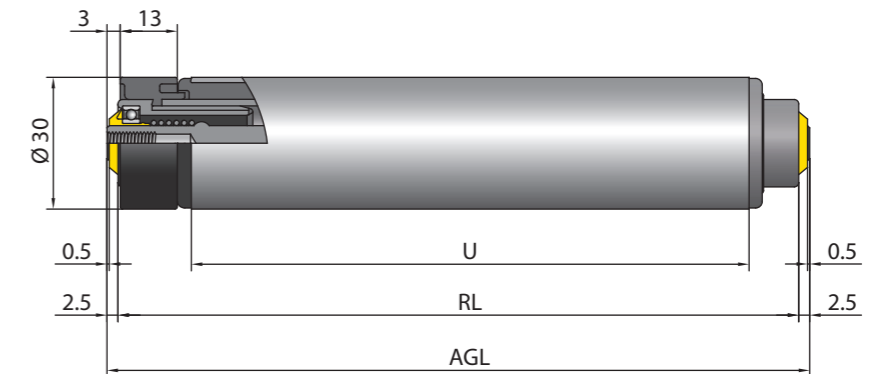
Friction conveyor roller
Double friction conveyor roller

Single friction roller with 3/8" zinc-plated steel double sprocket head and 12 teeth



Ø Tube [mm]	Tube material	Ø Shaft [mm]	Drive element	EL [mm]	AGL [mm]	U [mm]
30 x 1.2	Steel	8	Steel double sprocket head 3/8", T12	RL + 48	RL + 48	RL - 16

Double friction roller with flat belt drive head



Ø Tube [mm]	Tube material	Ø Shaft [mm]	Drive element	EL [mm]	AGL [mm]	U [mm]
30 x 1.2	Steel	8	Flat belt drive head Ø 30	RL + 5	RL + 5	RL - 28